

DIGI-TROLL 5

DIGI-TROLL 5 TS

ELECTRIC DOWNRIGGERS

USER MANUAL

CE MASTER USER MANUAL (FOR CE CERTIFIED MODELS)

THANK YOU

Thank you for purchasing a Cannon downrigger. We have designed your new downrigger to be an accurate and reliable tool that will enhance fishing control and improve your ability to catch fish. We hope that you enjoy the use of your new downrigger and enjoy the benefit of controlled depth fishing for years to come by always following safe boating practices and laws wherever you are fishing.

This manual covers installation and the operation of your downrigger. Read this manual carefully before operating your new Cannon downrigger. Retain this manual for future reference.

REMEMBER TO KEEP YOUR RECEIPT AND IMMEDIATELY REGISTER YOUR DOWNRIGGER.

To receive all the benefits for your product warranty, please fill out and mail the enclosed registration card. You may also complete registration on our website at cannondownriggers.com.

Please thoroughly read this user manual. Follow all instructions and heed all safety and cautionary notices below. Use of this downrigger is only permitted for persons that have read and understood these user instructions. Minors may use this product only under adult supervision.

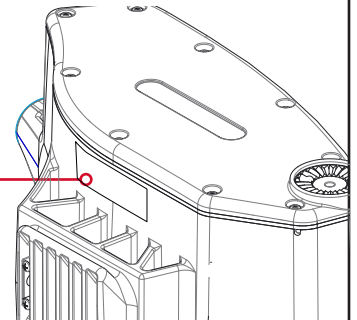
ATTENTION: Your Cannon downrigger should only be used for its intended purpose. Improper use will void the warranty and may be a safety risk.

CAUTION: Persons whose ability to run the downrigger or whose reactions are impaired by alcohol, drugs, medication, or other substances are not permitted to use this product.

LOCATING YOUR SERIAL NUMBER

Your Cannon 11-character serial number is very important. It helps to determine the specific model and year of manufacture. When contacting Consumer Service or registering your product, you will need to know your product's serial number. We recommend that you write the serial number down in the space provided below so that you have it available for future reference.

The serial number on your Cannon DigiTroll 5 downrigger is located on the bottom of the downrigger frame.



Model: _____

Serial Number: _____

Purchase Date: _____

Store Where Purchased: _____

TABLE OF CONTENTS

Warranty / Service Information	4
Assembly & Installation	5-11
Features	5
Mounting	6-7
Installing the Boom & Ball Hook	8
Installing the Swivel Head	8
Adjusting the Boom Length	9
Attaching the Rod Holder	10
Terminating the Downrigger Cable	11
Attaching the Line Release	11
Wiring the Downrigger	12-14
Operating the Downrigger	15-20
Display	15
Keypad	16
Programming	17-18
Fishing with the Downrigger	19-20
BlowBack Calculations	21
Removable the Spool Cover	22
Manual Crank Handle	23
Service & Repair	24
Troubleshooting	25
Parts Diagrams and Lists	26-29
Compliance Statements	30
Notes	31

LIMITED WARRANTY

CANNON LIMITED WARRANTY

Johnson Outdoors Marine Electronics, Inc. ("JOME") extends the following limited warranty to the original retail purchaser only. Warranty coverage is not transferable.

CANNON® LIMITED LIFETIME WARRANTY

JOME warrants to the original purchaser that if the accompanying product (see exclusions below) proves to be defective in material or workmanship within the following warranty periods, JOME will, at its option, either repair or replace same without charge (but no cash refunds will be made):

The boom, motor (if applicable), and reels, plus all plastic parts, including but not limited to frames and bases, will be free from defects in materials and workmanship, subject to normal wear and tear, for the original purchaser's lifetime.

All other items will have 1-year limited warranties from the date of original retail purchase, except THE FOLLOWING ITEMS THAT HAVE NO WARRANTY: swivel lock pin, weights, and wire cable.

LIMITATION AND EXCLUSION OF IMPLIED WARRANTIES AND CERTAIN DAMAGES

THERE ARE NO EXPRESS WARRANTIES OTHER THAN THESE LIMITED WARRANTIES. JOME DISCLAIMS LIABILITY FOR INCIDENTAL AND CONSEQUENTIAL DAMAGES, AND IN NO EVENT SHALL ANY IMPLIED WARRANTIES (EXCEPT ON THE BOOM, MOTOR, REELS, AND ALL PLASTIC PARTS), INCLUDING ANY IMPLIED WARRANTY OF MERCHANTABILITY OR FITNESS FOR PARTICULAR PURPOSE, EXTEND BEYOND ONE YEAR FROM THE DATE OF PURCHASE (AND IN THE CASE OF THE SWIVEL LOCK PIN, WEIGHTS, AND WIRE CABLE, JOME DISCLAIMS ALL IMPLIED WARRANTIES). THIS WRITING CONSTITUTES THE ENTIRE AGREEMENT OF THE PARTIES WITH RESPECT TO THE SUBJECT MATTER HEREOF; NO WAIVER OR AMENDMENT SHALL BE VALID UNLESS IN WRITING SIGNED BY JOME.

Some states do not allow limitations on how long an implied warranty lasts or the exclusion or limitation of consequential damages, so the above limitation or exclusion may not apply to you. This warranty gives you specific legal rights, and you may also have other rights that vary from state to state.

CANNON® SERVICE POLICY

AFTER THE APPLICABLE WARRANTY PERIOD

After the applicable warranty period, or, if one of the above exclusions applies, Cannon® products will be repaired for a charge of parts plus labor. All factory repairs, after the applicable warranty period, carry a 90-Day Limited Warranty, subject to the exclusions and limitations stated above.

TO ENFORCE WARRANTY OR TO OBTAIN REPAIRS AFTER WARRANTY

To obtain warranty service in the U.S., the downrigger believed to be defective and the proof of original purchase (including the date of purchase) must be presented to a Cannon® Authorized Service Center or to Cannon®'s factory service center in Mankato, MN. Except as noted below, any charges incurred for service calls, transportation or shipping/freight to/from the Cannon® Authorized Service Center or Cannon®'s factory, labor to haul out, remove, re-install or re-rig products for warranty service, or any similar items are the sole and exclusive responsibility of the purchaser. Warranty service can be arranged by contacting a Cannon® Authorized Service Center or by contacting the factory at 1-800-227-6433 or by email to service@cannondownriggers.com. If the necessary repairs are covered by the warranty, we will pay the return shipping charges to any destination within the United States. Downriggers purchased outside of the U.S. (or parts of such downriggers) must be returned prepaid with proof of purchase (including the date of purchase and serial number) to any Authorized Cannon® Service Center in the country of purchase.

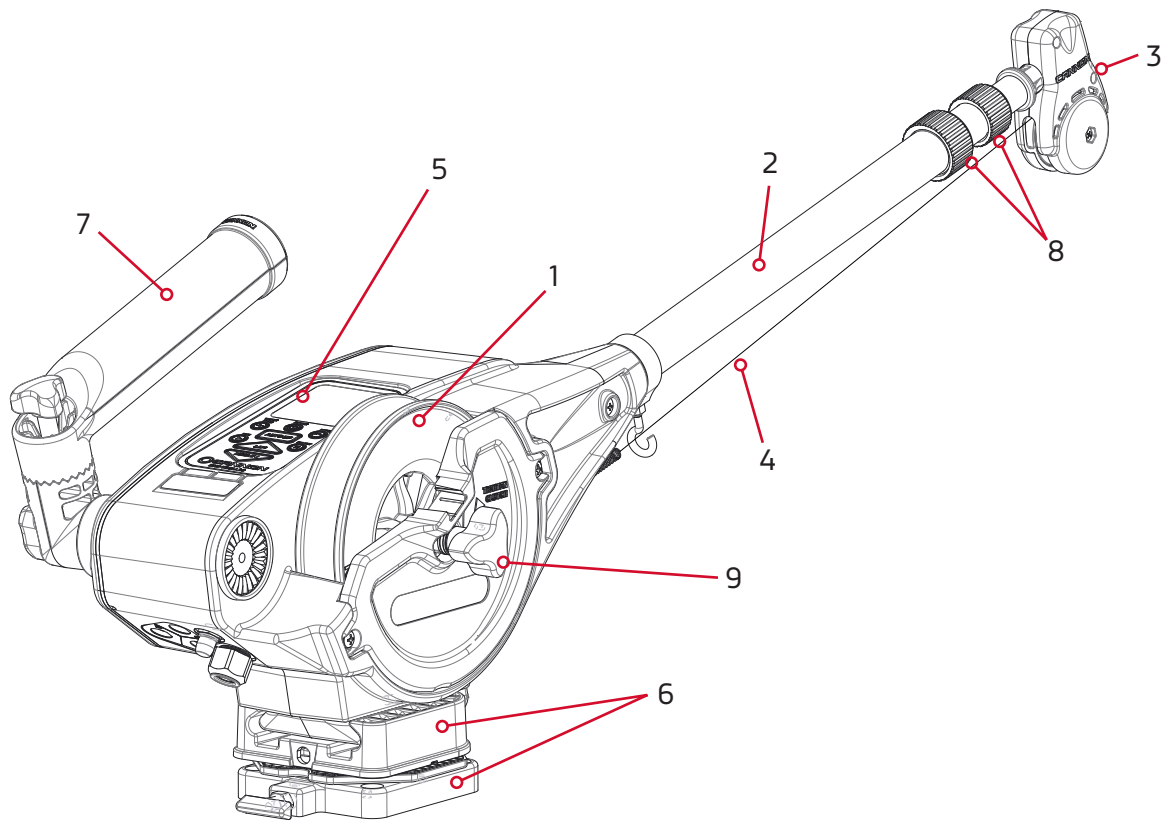
NOTE: Do not return your Cannon® downrigger or parts to your retailer. Your retailer is not authorized to repair or replace them.

Major parts, such as the motor and main frame, must be returned to JOME in Mankato, Minnesota, or a Cannon® Authorized Service Center, for repair or replacement. To reduce shipping costs, we suggest removal of loose parts such as the boom and rod holders. Small parts that can be easily removed such as the handle and/or the counter, may be removed from the downrigger and returned for repair or replacement. **Retain your sales receipt.** Proof of purchase must accompany product when returned.

Return Address:

Johnson Outdoors Marine Electronics, Inc.
Attn: Cannon Service Dept.
121 Power Drive
Mankato, MN 56001

ASSEMBLY & INSTALLATION



FEATURES

1. Reel: This is used to spool the cable, available in lengths ranging from 150 to 400 feet.
2. Boom: This is used to extend the weight out from the body of the downrigger and has a pulley fixed to its end. Boom lengths range from 24 to 53 inches.
3. Swivel Head: This relays the cable at the end of the boom to lower the weight.
4. Cable: This connects to the weight.
5. Keypad/LCD: Keypad is used to control the functions of the downrigger. The LCD display provides feedback of the downrigger functions.
6. Mounting Bases: These attach to the boat, enabling you to place the downrigger where you choose.
7. Rod Holder: This holds your fishing rods while trolling and may also be used for storing rods.
8. Boom Clamps: These lock the boom sections together after the boom has been extended or retracted.
9. Clutch Knob: This loosens and tightens the tension on the spool and holds the side plate in place.

* This diagram is for reference only and may differ from your actual downrigger.

ASSEMBLY & INSTALLATION

DOWNRIGGER MOUNTING

Choosing a good location to mount your downrigger on your boat is very important. A downrigger should be mounted in a location where it is easy to observe your fishing rod and react quickly to operate the downrigger once there is a fish on the line.

MOUNTING ACCESSORIES

Cannon offers a complete line of mounting accessories that allow you to optimize your spread to fit the way you fish. Before making any permanent changes to your boat, consider what accessories might be used in your application. To see the complete line of mounting accessories available, visit cannondownriggers.com.

Deck Plates are necessary when extra strength must be added to the base material of the boat and for attaching the downrigger to other mounting accessories.

Gimbal Mounts are designed to fit medium-sized flush mounted rod holders built into the gunwale of many larger fishing boats and cruisers. Only sturdy, high quality rod holders should be used for this temporary mounting system. Gimbal mounts are available in 9" or 12" post lengths.

Side/Rail mounts can be mounted to a welded T-section. It can also be used at the two rail section butt joint. In both installations it is recommended to use a non-slip material, such as rubber or a thin wood sheet, between metal surfaces.

You can also use these for mounting to a very narrow side gunwale. There is a plate provided for back-up with bolts and washers. If the gunwale compartment is foamed in, then wellnuts should be used. It is also recommended to install two additional flat head screws through the top plate for stabilization (you will need to drill and countersink).

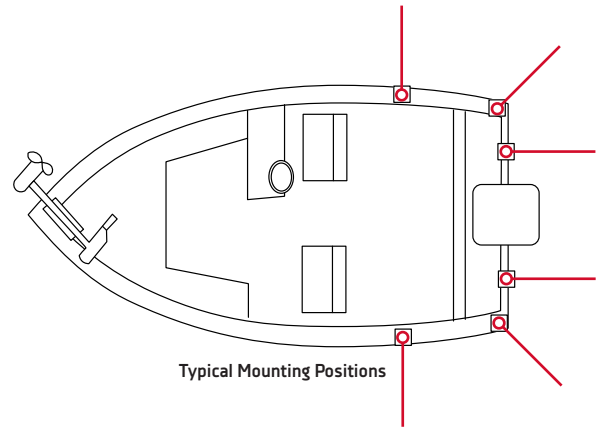
INSTALLING THE INCLUDED MOUNTING BASE

Decks thinner than 1/4"

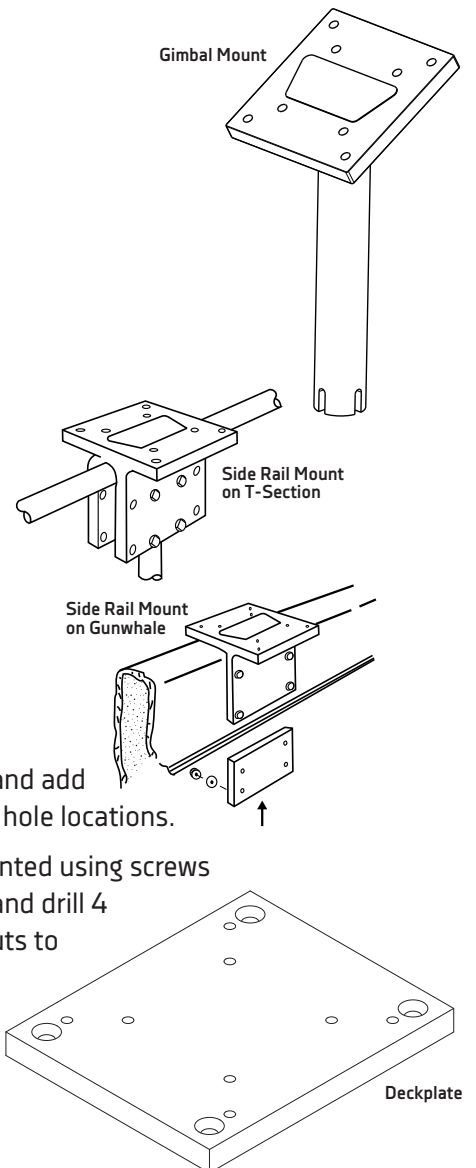
Use a Cannon deck plate (sold separately - PN 2200693) to prevent deflection and add stability to decks thinner than 1/4". Use the deck plate as a template to mark the hole locations.

If access to the underside of the deck is not available, the deck plate can be mounted using screws and wellnuts (not included). Use the deck plate as a template to mark locations and drill 4 wellnut clearance holes. Use four 1/4-20 x 1-1/2" flat head screws and four wellnuts to mount deck plate. Tighten the screws so the wellnuts are firmly compressed.

Where the underside is accessible, the deck plate can be mounted using screws, nuts, and washers. Drill 9/32" holes. Use four 1/4-20 x 1-1/2" flat head screws, nuts and washers (flat and lock). Fasten plate to deck. To secure the mounting base to the deckplate use four 1/4-20 x 1" truss head screws.

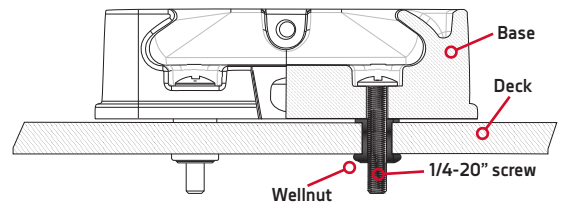


Typical Mounting Positions



Decks from 1/4" to 7/16" thick

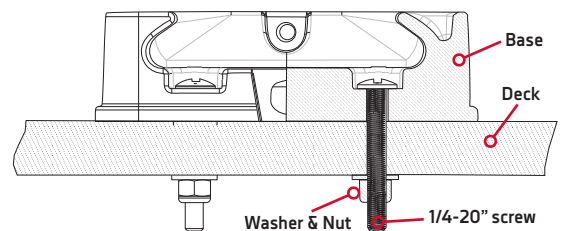
Where access to the underside of the deck is not available, the mounting base can be attached to the deck using wellnuts. Use the base as a template to mark locations and drill four wellnut clearance holes. Mount the base using four 1/4"-20 x 1-1/2" truss head screws and four wellnuts. Tighten the screws so the wellnuts are firmly compressed as pictured.



Decks from 1/4" to 7/16" Thick

Decks thicker than 7/16"

For decks thicker than 7/16", or where the underside of the deck is accessible, mount the base with screws, nuts, and washers. Use the base as a template to mark the locations and drill four 9/32" holes. Use four 1/4"-20 x 2" truss head screws and four each flat washers and nuts. Fasten the base to the deck as pictured.



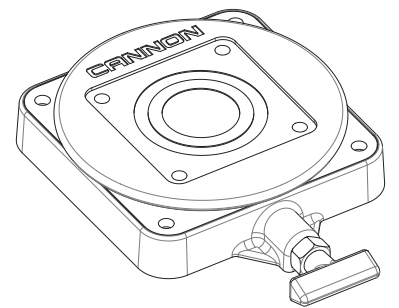
Decks Thicker Than 7/16"

NOTE: Wellnuts SHOULD NOT be used on decks thicker than 7/16".

NOTE: When using the telescopic boom, we strongly recommend the use of a deck plate on all boats to provide adequate stability for the downrigger.

Low-Profile Swivel Base

To mount the Low-Profile Swivel Base, follow the same procedure as for the deck plate with this exception: use four 1/4"-20 x 1-1/2" truss head screws to fasten the mounting base and four additional 1/4"-20" x 2-1/2" truss head screws to attach the swivel base to the boat deck.



Low-Profile Swivel Base

ASSEMBLY & INSTALLATION

INSTALLING THE BOOM AND BALL HOOK

1. Remove the ball hook collar, ball hook, and 1/4-20 nut from the included hardware bag assembly. Thread the nut onto the ball hook, then thread the ball hook into the ball hook collar. Do not tighten yet. (Figure 1)
2. Slide ball hook collar onto the end of the boom and leave it loose. (Figure 2)

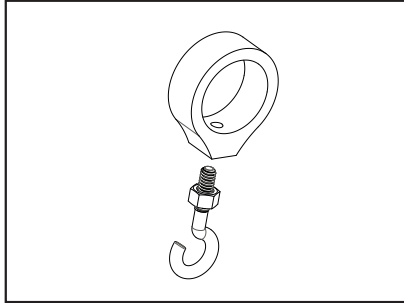


Figure 1

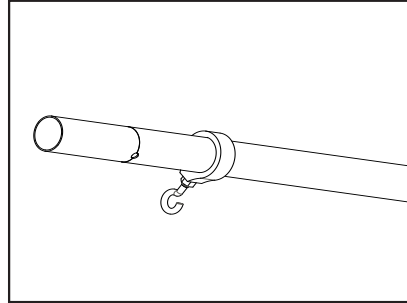


Figure 2

3. Insert boom with ball hook collar assembly into frame (Figure 3) and line up holes in boom with holes in frame (Figure 4).
4. Remove 1/4-20 x 2" bolt and 1/4-20 nylon locknut from included hardware bag assembly. Insert the 1/4-20 nylon locknut into the hex pocket on the nose of the frame (motor side of frame) then insert 1/4-20 x 2" bolt into reel side of frame nose. (Figure 5)

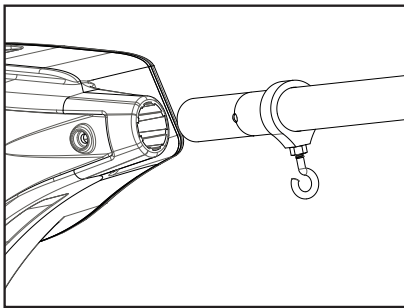


Figure 3

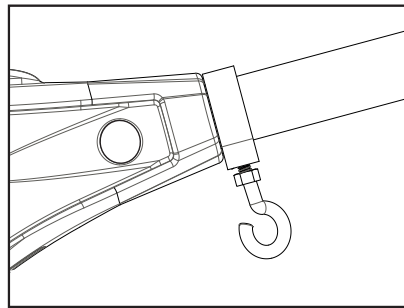


Figure 4

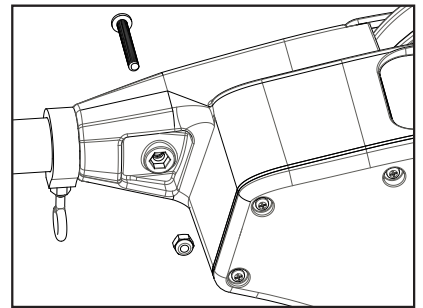


Figure 5

5. With a Phillips head screw driver, thread bolt into the nylon locknut from step 4. Tighten bolt until the end of the bolt is flush with the top of the nut. (Figure 6)
6. Slide ball hook collar to your preferred location. Hand tighten the ball hook into boom tube. Tighten enough so that there is no movement on the boom. (Figure 7) Once ball hook is secure, with a 7/16" wrench, tighten the 1/4-20 nut until secure with ball hook collar. (Figure 8)

NOTE: Do not overtighten ball hook or permanent deformation of the boom is possible.

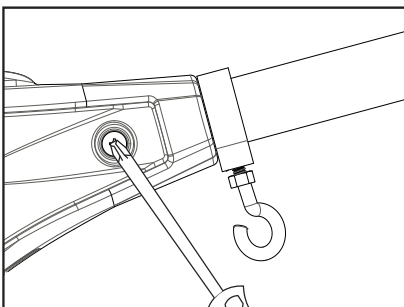


Figure 6

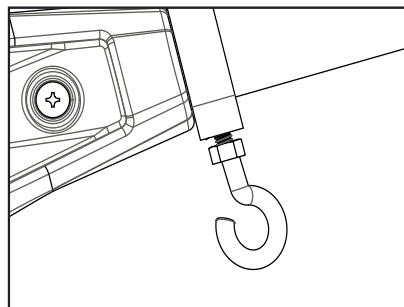


Figure 7

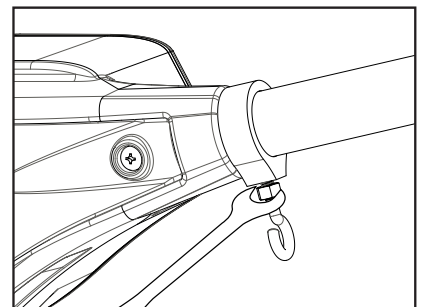


Figure 8

INSTALLING THE SWIVEL HEAD

1. Locate swivel head assembly and then insert boom end post into end of the small tube of the boom assembly. (Figure 9)
2. Align hole in boom post with hole in small end tube.
3. Secure boom end with #8 screw as shown. Tighten with Phillips head screw driver by turning screw clockwise until tight. (Figure 10)

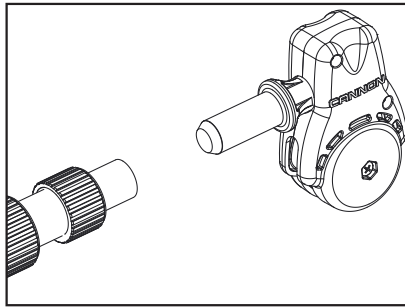


Figure 9

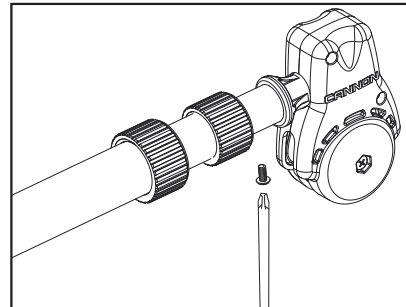


Figure 10

ADJUSTING THE BOOM LENGTH

To adjust the boom length (with the boom extending away from you) rotate the boom clamps (See item # 8 on page 5) approximately $\frac{1}{4}$ turn counter-clockwise to unlock (Figure 11) and slide the boom section to the desired position. (Figure 12) Once in place, lock the boom clamps by rotating clockwise until tight. (Figure 13)

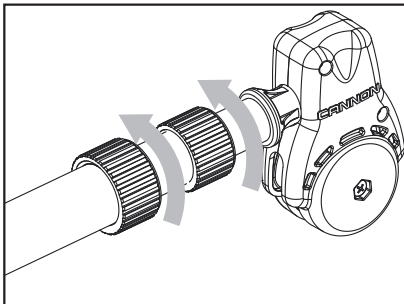


Figure 11

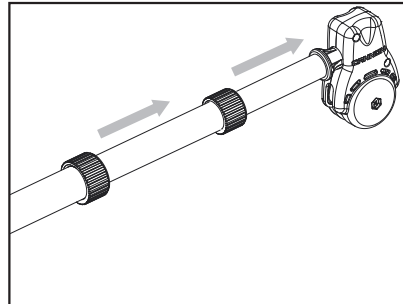


Figure 12

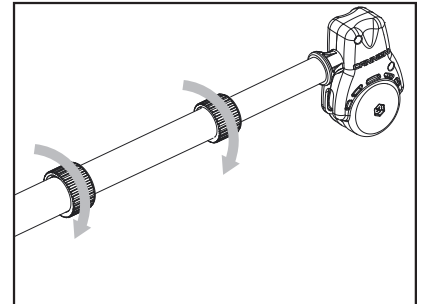


Figure 13

ASSEMBLY & INSTALLATION

ATTACHING THE ROD HOLDER

The locking rod holder(s) incorporate a locking tooth design which can be easily adjusted every 15° with the soft grip knob. The symmetrical design will allow mounting of the rod holder on either side of the downrigger or two rod holders at the same time. The unique two-piece design allows independent adjustment of the rod holder and the rod holder arm in two axes. (Figure 14)

CAUTION: This rod holder is intended for use of up to 30 lb. test line only and is not recommended for use with any tackle IGFA (International Game Fish Association) rated higher than 30 lb. A safety strap (not included) is recommended for all applications.

NOTE: The rod holder assembly is not covered under warranty when used with tackle above 30 lbs. Equipment placed in the rod holders and the loss thereof is the responsibility of the user and is in no way warranted by Johnson Outdoors, Inc. Mounting must be in accordance with the above instructions to comply with the product warranty.

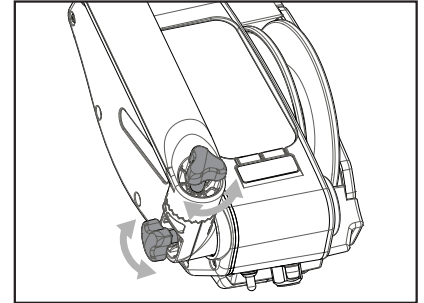


Figure 14

To install the rod holder:

1. Attach the rod holder elbow to the downrigger on either side using the supplied spring and knob. (Figure 15)
2. Fasten rod holder to rod holder elbow using supplied spring and knob. (Figure 16)
3. Repeat the above steps for the other side if (2) rod holders are to be mounted.

The rod holder can be adjusted by loosening either knob until the locking teeth are free from each other. Rotate the rod holder or arm to the desired position and re-tighten knob.

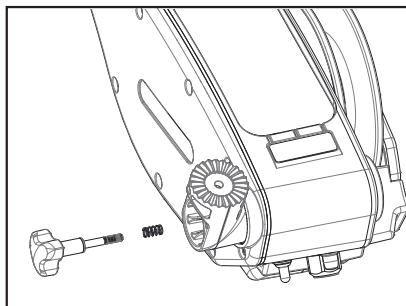


Figure 15

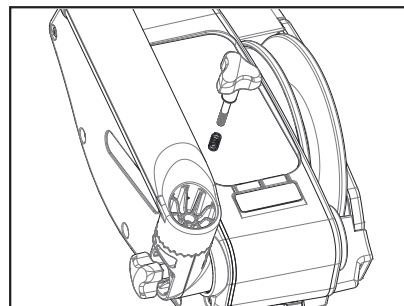


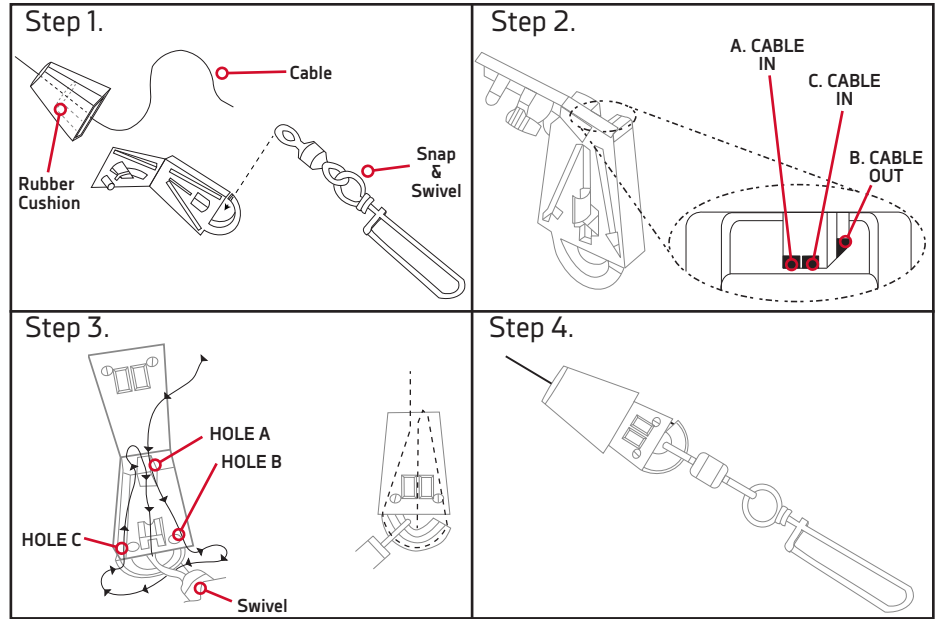
Figure 16

TERMINATING THE DOWNRIGGER CABLE

NOTE: Use only straight cable when routing through the terminator. Worn or kinked cable can be stressed and may break prematurely when retrieving trolling weights.

NOTE: A set of pliers with wire cutters is recommended for this part of setup.

1. Unwind about 2 feet of cable and thread through the rubber cushion. Attach Swivel Snap to terminator.
2. Examine the top of the terminator and note the order shown in the detail to run cable.
3. Lead and pull six inches of cable through HOLE A. Thread cable through swivel, then up into bottom of the terminator. Lead cable out of HOLE B and into HOLE C. Push the cable until its end touches the inside of the terminator hook. Tighten cable by squeezing terminator until it snaps shut. Then pull at top and bottom until drawn tight. Make sure that the cable threads the hook.



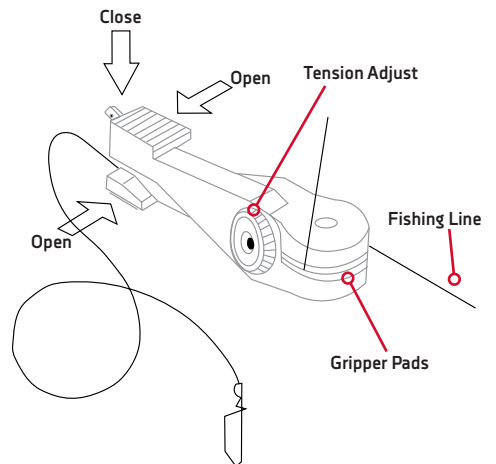
NOTE: Use only straight cable, not kinked cable.

4. Slide the cushion over the top of the terminator and give it a test pull. The cable is now set to attach a Cannon Flash Weight™.

ATTACHING THE LINE RELEASE (UNI-RELEASE)

The Cannon Uni-Release attaches directly to the downrigger weight. Attach fishing line to the clip at the end of the release, and then click through a series of increasing tension settings. The release can be used with any test line on salt or fresh water and may be adjusted from 2 to 22 pounds of grip tension on the line.

To change line release tension, turn tension knob to (+) to increase or (-) to decrease. Tension also may vary according to where the line is placed in the grips. Higher tension is on the line if it is set back toward the hinge, and lower if set closer to the opening. To open the release, spread the release arms with thumb and forefinger applying pressure to the sides.



WIRING THE DOWNRIGGER

WIRING YOUR DOWNRIGGER

In order for the Positive Ion Control (PIC) on your downrigger to work correctly, it is important to make sure your boat is properly set up before installing your downrigger. Whenever a boat is in water, various submerged parts interact to create weak electrical currents. These weak electrical currents should be controlled to extend the life of the boat's metal parts and ensure a good fish catching environment. For full details on how the Positive Ion Control system works, see the "Positive Ion Control System" section of this manual under the Operation section.

CHECKING YOUR BOAT'S ELECTRICAL CONDITION

1. If the zinc sacrificial anodes on your boat and on the outboard/outdrive are more than half dissolved, it is recommended that they be replaced. This ensures that the boat will run with a neutral or slightly positive charge. Clean zincs on a regular basis with a non-corrosive brush.
2. Any coating of slime or growth should be cleaned off.
3. All metal parts including the hull (if metal) should be interconnected by a grounding wire. This includes motor shafts, outdrives, and through hull fittings.
4. If your boat and zinc anodes are set up correctly, the voltage on the downrigger wire should be positive when in contact with the water.
5. With your boat in the water and the downrigger cable deployed in the water, measure the DC voltage from the cable to a grounded metal surface of the boat touching the water. If properly wired, the reading should be 0.6-0.8VDC (fix PIC) or match your Digi-Troll setting.
6. The cable on your downrigger should be replaced every 2 years. Etching of the cable can weaken it physically and electrically.
7. Always make sure the boat is properly grounded to the water. This will help ensure proper PIC voltage on the cable and that the Short Stop will function properly.
8. The use of Cannon vinyl coated lead weights is recommended.
9. Use the trolling weight insulators supplied with your downrigger. This insulates your weight from the positive charge on the cable. This will also ensure that the trolling weight will stop at water level when retrieved.

NOTE: To ensure proper operation of your downrigger, ground the battery to your boat's electrical system's ground. Malfunctions with the PIC, communication between units, or loss of operation result from faulty grounding. Always check to see if your boat is properly grounded first.

ELECTRICAL SPECIFICATIONS & WIRING INSTRUCTIONS

The downrigger is rated at 30 amps (full load), 12 volts DC and is protected by a 25 amp manual reset circuit breaker (located under motor housing). Be sure to measure the battery voltage of your boat.

WARNING: DO NOT RUN THIS DOWNRIGGER ON A 24 VOLT BATTERY SYSTEM. THIS WILL DAMAGE THE UNIT AND VOID YOUR WARRANTY.

CONNECTING TO THE BATTERY:

It is strongly recommended that a fuse or manual reset circuit breaker be installed at the battery on the positive lead of the power cable or that you connect the downrigger to a battery selector switch. (See Fuse and Wire Specifications) Connect the positive lead (RED) to the (+) post on your battery and the negative lead (BLACK) to the (-) post on your battery or the downrigger will not operate. Use the quick disconnect plug to remove the downrigger without touching the battery.

NOTE: It is strongly recommended to power your downrigger with a Deep-Cycle marine battery. Only run a Digi-Troll from a Starter battery if it is recharged by an alternator while trolling.

NOTE: Control degradation of the power cables and limit corrosion by using anti-oxidant gel on all connections.

RIGGING AND INSTALLATION GUIDELINES:

For safety and compliance reasons, we recommend that you follow American Boat and Yacht Council (ABYC) standards when rigging your boat. Altering boat wiring should be completed by a qualified technician. The following specifications are for general guidelines only:

CAUTION: These guidelines apply to general rigging to support your Cannon Downrigger. Powering multiple Downriggers or additional electrical devices from the same power circuit may impact the recommended wire gauge. If you are using wire longer than that provided with your unit, follow the chart below. If you are running more than 30 feet from the battery, we recommend that you contact a qualified marine technician.

WIRE SPECIFICATIONS:

0-15 ft.	(0-5 meters)	10 gauge
15-25 ft.	(5-8 meters)	8 gauge
25-30 ft.	(8-9 meters)	6 gauge

FUSE/BREAKER SPECIFICATIONS:

30 Amp, 32 Volt, waterproof, fast blow

POWERING MULTIPLE DOWNRIGGERS

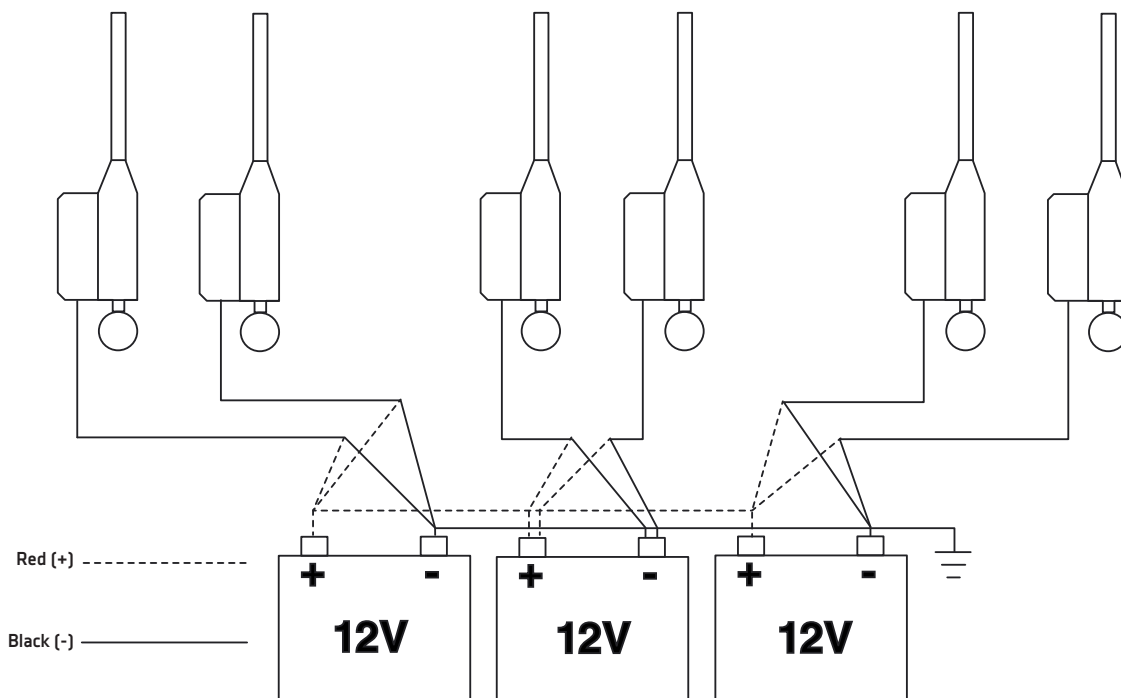
When operating multiple downriggers, run a maximum of 2 downriggers per dedicated battery. The advanced features of the downriggers can keep the unit working virtually all the time. (See below for the recommended wiring setup.)

TYPICAL OPERATING TIME*:

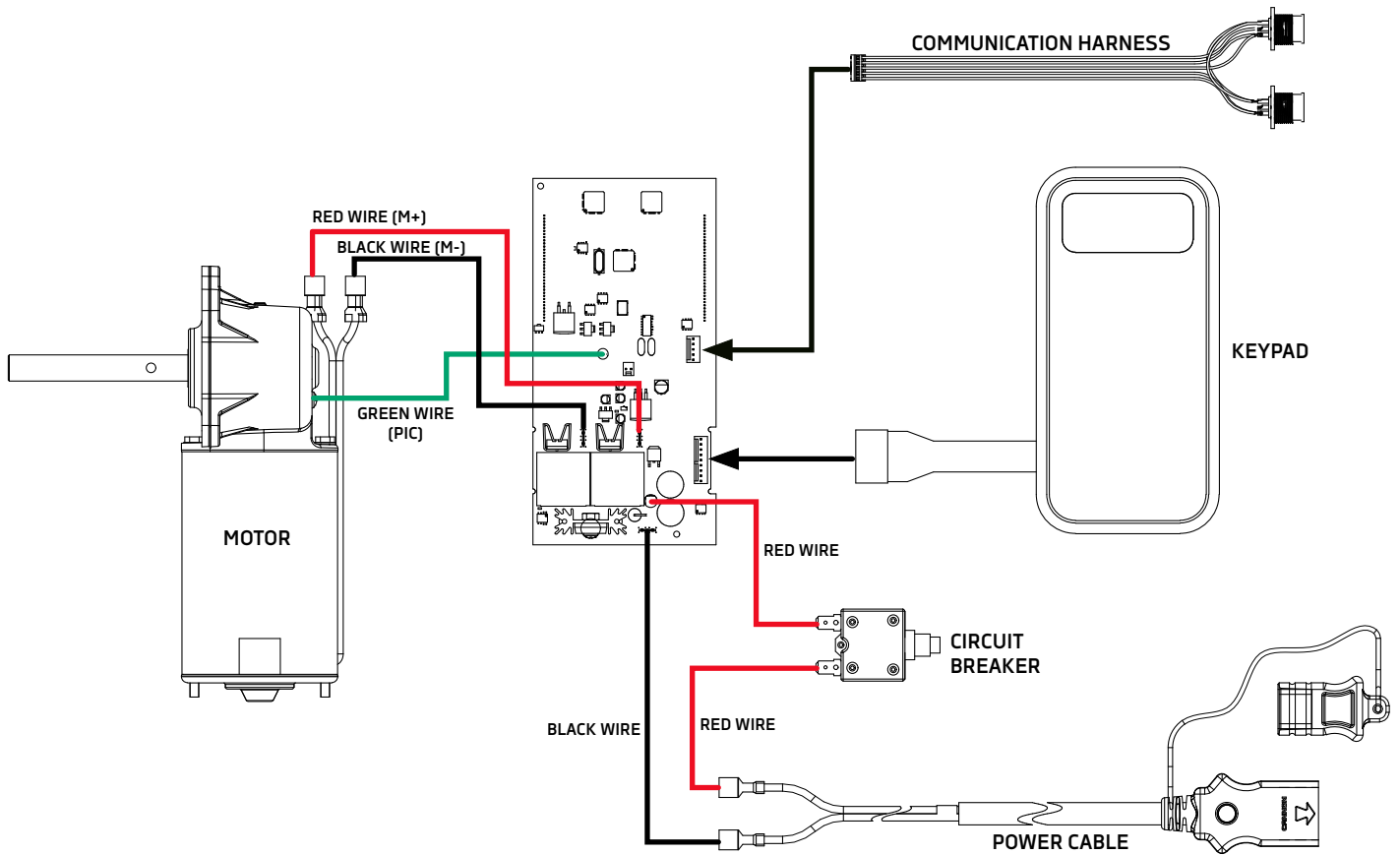
1 Digi-Troll per battery – 24 hours.

2 Digi-Trolls per battery –10 hours.

*Time based on lab results using a 15lb weight and Deep-Cycle batteries. Actual run time will vary.



WIRING DIAGRAM



OPERATING THE DOWNRIGGER

The Digi-troll 5 offers you the most advanced features available in a downrigger.

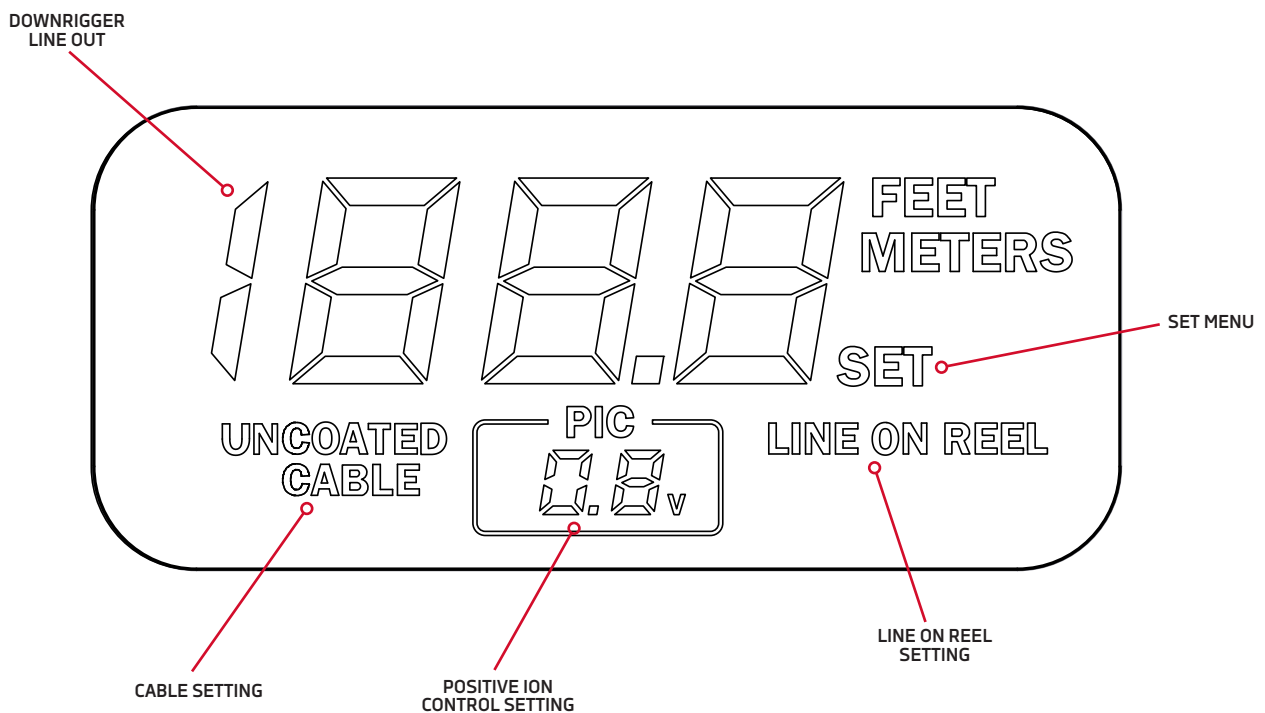
- Variable Positive Ion Control.
- Large LCD digital display for weight depth and easy programming.
- Auto-Up key to quickly raise the weight to water surface.
- A permanent storage memory to retain all the settings.
- High efficiency motor.

DIGI-TROLL 5 DISPLAY

When the power cord is plugged in, press the power button on the keypad to turn on the downrigger. In normal usage, the display will indicate the depth of the weight in feet.

Note: A negative depth indicates distance above the water surface.

During programming of special features, the display is used to indicate various settings.



OPERATING THE DOWNRIGGER

DIGI-TROLL 5 KEYPAD

The Digi-Troll 5's keypad has six keys located below the display:

POWER

The ON/OFF key functions:

- Turn the Digi-Troll ON - Simply press and release.
- Turn the Digi-Troll OFF - Press and hold power button for three seconds.

MENU

The Menu moves the display through up to four screens for programming (see section on programming for details). After 7 seconds of inactivity on the key pad, the screen reverts back to the weight line out display.

UP

During manual operation, this key raises the weight when pressed. In programming mode, the UP key increases numeric values.

DOWN

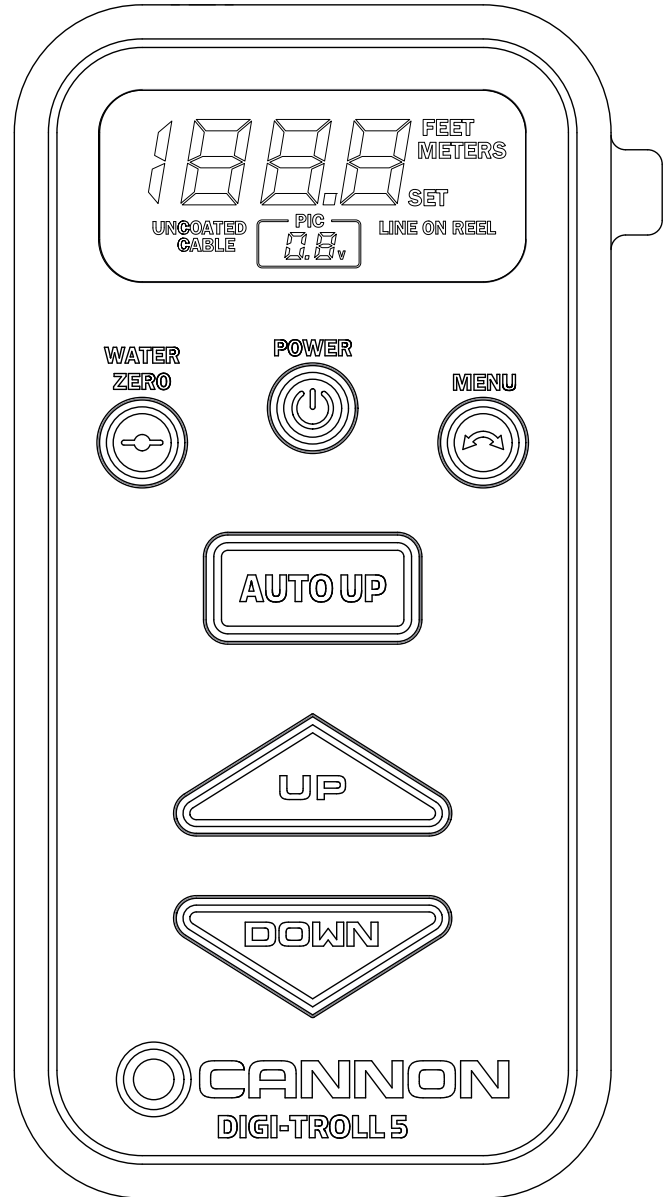
During manual operation, this key lowers the weight when pressed. In programming mode, the DOWN key decreases numeric values.

WATER ZERO

The water zero key provides a reset option for depth. When pressed and held, the line out count will reset to zero.

AUTO UP

Press AUTO UP to raise the weight to the water zero set point at any time. AUTO UP uses the speed 5 regardless of your setting and cancels any other mode of operation when used.



PROGRAMING THE DIGI-TROLL 5

The Digi-Troll 5 contains four menus that enable you to program and customize its operation. Any changes made using the menu system are automatically saved in permanent memory when the downrigger is turned off.

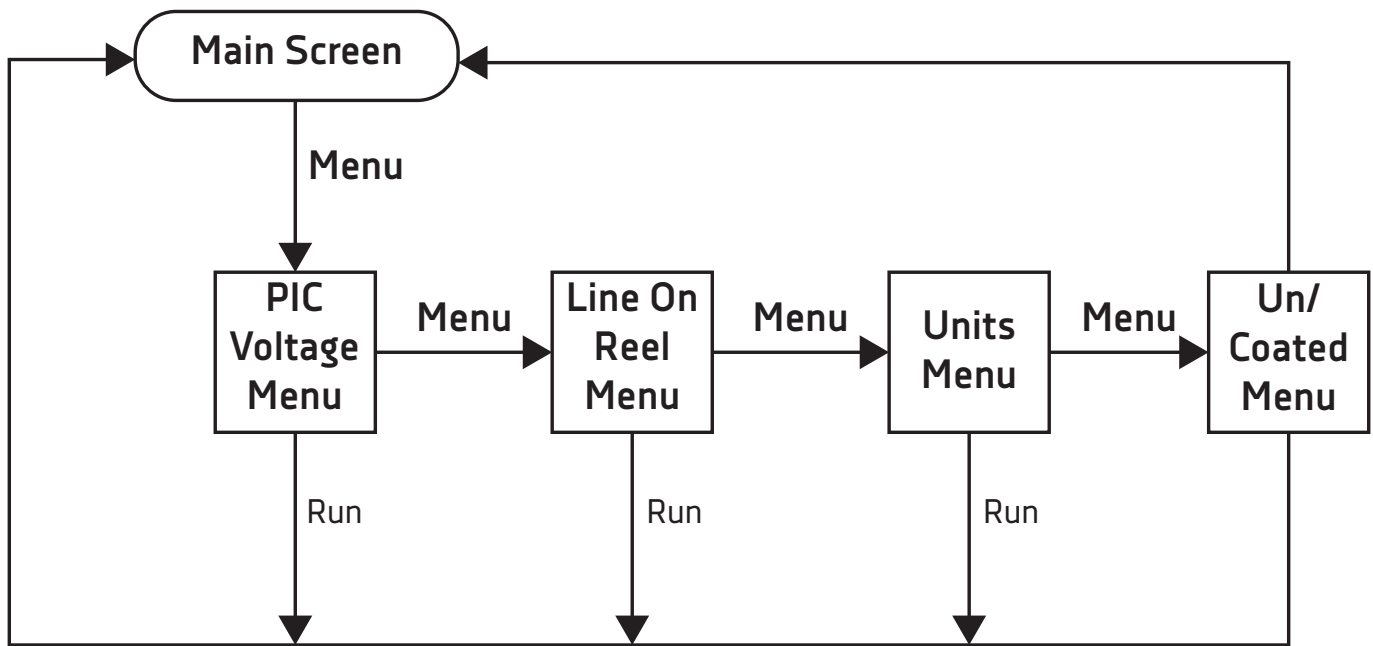
NOTE: The downrigger must be turned off with the power button for the settings to be saved.

The MENU key is used to enter each of the menus starting from the default screen (referred to as the depth screen).

The Menu System

The chart below summarizes the Digi-Troll 5's menu system in the order of occurrence.

While programming, the UP key is used to increase the value and the DOWN key is used to decrease the value. During programming, if there is no activity on the keypad for 7 seconds, the menu reverts back to the main screen.

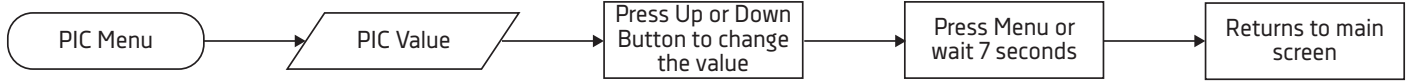


OPERATING THE DOWNRIGGER

POSITIVE ION CONTROL MENU

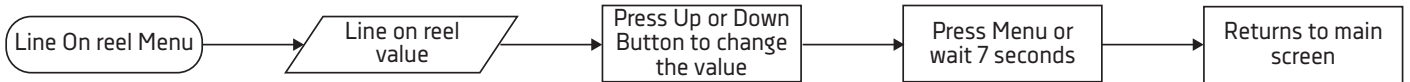
This menu lets you control the PIC level from 0.2 vdc to 1.2 vdc.

Press the Menu one (1) time from the depth screen or once from the up/down screen.



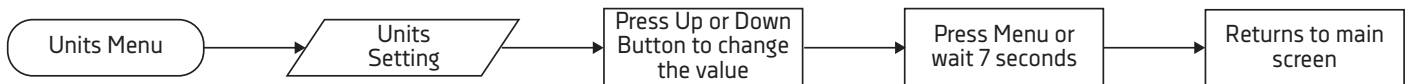
LINE ON REEL MENU

- Press the Menu (2) two times from the depth screen or once from the PIC screen.
- This menu lets you set the amount of line on the reel. Increments are in 50 ft. This setting is important in determining true line out.



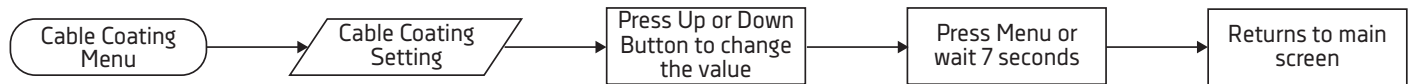
UNITS MENU

- Press the Menu (3) three times from the depth screen or once from the Line On Reel Screen
- This menu lets you switch between English and Metric units.



UN/COATED MENU

- Press the Menu (4) four times from the depth screen or once from the Units screen.
- This menu lets you switch between Cannon coated and uncoated cable. This setting is important as well in determining accurate line out.



DIGI-TROLL FACTORY SETTINGS

Your Digi-Troll 5 was shipped with the following factory settings so that you can use your downrigger immediately without further programming.

Line on Reel: 400 feet

PIC: 0.6 vdc

Cable Setting: Uncoated

Units: English

FISHING WITH YOUR DOWNRIGGER

After programming your Digi-Troll, release some line from your rod and reel so that the lure is anywhere from 5 to 100 feet behind the boat. This is called drop back. Attach the fishing line firmly into the line release. Press and hold the down key to lower the weight to the desired depth as indicated on the display or select a pre-programmed weight depth. Place the fishing rod in the rod holder and reel up the slack so that your rod has a slight bend in it. When a fish strikes the lure, the line will separate from the release. Then you will be free to fight the fish and bring it in on your rod and reel.

MANUAL DESCENT

By turning the clutch knob gently clockwise (toward the boom), you can let your trolling weight descend as fast or as slowly as you wish. Turning the knob counterclockwise (away from the boom) stops the weight. This gives you control to let it plunge rapidly or sink slowly to a predetermined trolling depth. With multiple downriggers, you could start all your weights creeping down, one at a time, and then stop them each in turn.

NOTE: In order to track line out, the Digi-Troll must be turned on.

WARNING: DO NOT TOUCH THE CABLE REEL WHILE THE DOWNRIGGER IS IN USE! Holding or touching the spool while it is moving may result in moderate to severe injuries.

THE SHORT STOP SYSTEM

The Short Stop system is composed of three critical components: the electronic unit, the reel conductive path, and the trolling weight insulator.

While the downrigger cable is in the water, there is a minute electrical current that flows between the cable and the grounded metal boat components in the water. When the cable clears the water, this current flow will stop. The Short Stop system senses this interruption and turns off the motor. The trolling weight insulator is used to break the cable contact to the water while the weight is still in the water. The reel conductive path allows the circuit path to be made through the structure of the downrigger.

NOTE: It may be necessary to use two trolling weight insulators.

NOTE: Short stop and Positive Ion Control features do not function when spooled with monofilament or super lines or if the boat is not properly grounded.

Stopping the weight at water level eliminates the cable strain caused by bouncing weights or weights hitting the boom end. Stopping at water level will also keep the weight from hitting the boat hull.

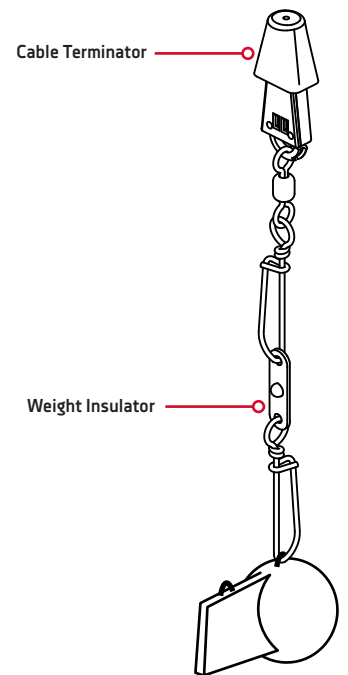
THE POSITIVE ION CONTROL SYSTEM

Your boat has an electrical charge around the hull in water. If a boat is properly grounded and has a proper zinc anode, that charge should be slightly positive when measured from ground to the downrigger cable. Positive Ion Control (PIC) is the use of electricity to control that charge and its fluctuation so that it is always maintained at a specified set voltage.

The practice of setting up and maintaining a slight positive charge on fishing gear has been used by commercial fishermen for many years. This practice has enabled some fisherman to increase yield when used along with other good fishing and boating practices.

Cannon's electric downriggers offer fishermen a big advantage in being able to stabilize and control the positive charge around their boat. Because of the composite construction of the frame, Cannon downriggers are insulated from your boat's hull charge.

When the stainless steel downrigger cable is lowered into the water, the natural ionization between the cable and the boat creates a positive charge of 0.7 to 0.9 volts in saltwater and 0.3 to 0.6 volts in fresh water. This natural voltage is dependent upon salinity and mineral content of the water. Your actual voltage may vary.



OPERATING THE DOWNRIGGER

How the Positive Ion Control System Works

The PIC system uses an internal circuit that passes the voltage through the drive train of the Digi-Troll to the shaft. The shaft contacts the cable by means of a ball bearing, spring and, lastly, a one direction button head screw. Care must be taken to ensure contact between the cable and the screw when replacing the cable. When using coated cable, 3-4 ft of coating must be stripped when terminating the cable to reel. Take care in ensuring that the striped portion is in contact with the button head screw.

The Positive Ion Control system applies a variable 0.2 to 1.2 volts on the trolling cable at all times.

Measuring the Natural Electrolysis and PIC Voltage on Your Boat

A voltmeter with a scale of zero to one volt will measure the natural electrolysis. Place the ground lead of the meter on the motor or the battery ground. Place the positive lead on the stainless steel downrigger cable while it is in the water. The downrigger must be unplugged. The voltage you measure on the volt meter is your boat's natural electrolysis voltage. Use the same set up to measure the PIC voltage; just plug in the Digi-Troll and adjust the PIC voltage desired.

Using Positive Ion Control

Positive Ion Control is very effective when trolling. The zone of attraction created at the downrigger wire will attract the fish. It is best to use a short drop back between the downrigger release and the lure. Drop backs of 10 to 20 ft. are typical. A drop back of 50 to 100 ft. will entirely negate the effects of the PIC circuit. Fishing depths greater than 125 ft. may require a slightly higher PIC voltage. If you return to shallow water fishing remember to turn the PIC voltage down again.

The correct PIC setting for best fishing advantage varies, depending on fish type and location. To fully benefit from PIC technology, it is important that you experiment with the PIC setting to find the proper voltage for the gamefish in the area.

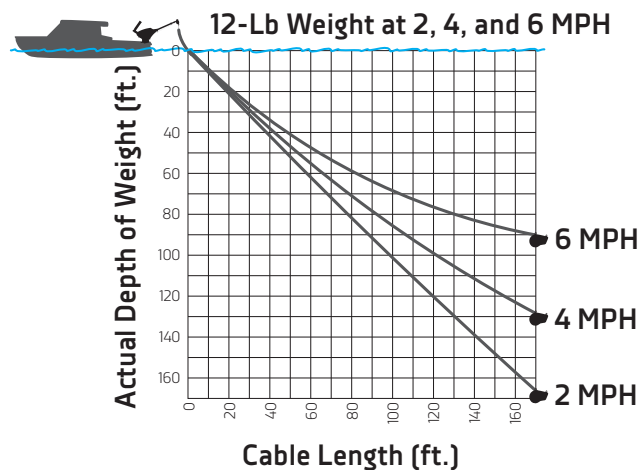
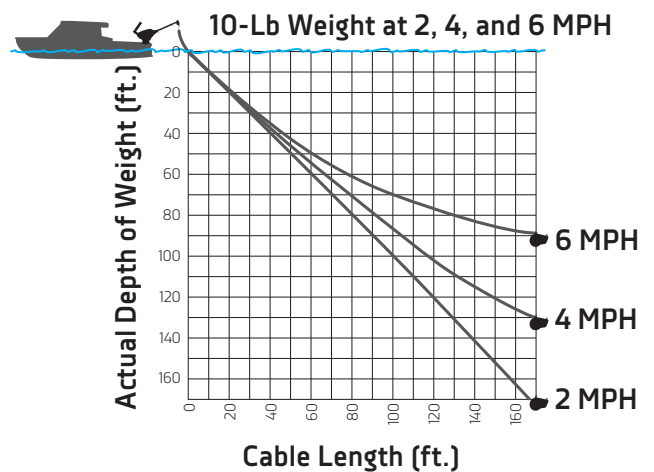
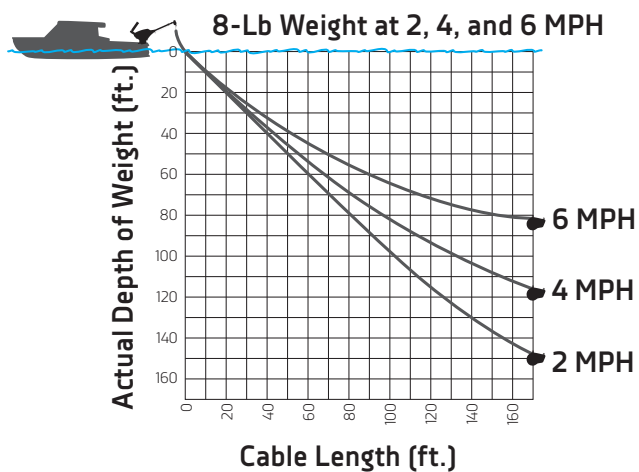
BLOWBACK CALCULATIONS

BLOWBACK

Simply stated, blowback is what happens to the downrigger weight when you pull it through the water behind your boat. As your speed increases, so does the horizontal distance between the weight and your downrigger. The faster you go, the farther the weight is behind you. The farther the weight is behind you, the shallower the weight is.

The following charts provide you with blowback information for three sizes of Cannon downrigger weights pulled at three different speeds with no lures attached and with no current. Current drag, water salinity and the use of non-Cannon products will affect your actual trolling depth.

As an example, the first chart shows that if you are trolling at 4 MPH with an 8 pound weight and you have 100FT. of cable in the water with no current; the down rigger ball is actually at a depth of about 80 FT.



REMOVABLE SPOOL COVER

REMOVABLE SPOOL COVER

Your new downrigger comes with a removable spool cover. By removing this cover, you are able to gain easy access to your spooled cable and easy spool removal. This feature allows you to easily access tangled line, get it repaired and get you back into action quickly. This feature also allows you to have multiple reels for different types of line. By purchasing additional reels, you can wind each with a different type of cable (i.e. Uncoated cable, Coated Cable, Mono, etc.). This allows you to switch out desired cables quickly and easily.

WARNING: Do not touch the cable reel while the downrigger is in use.

NOTE: Remove all tension from the line before removing or replacing the spool.

Follow the below steps to remove the side cover:

1. Loosen and remove the clutch knob. Turn the clutch knob clockwise until it is free of the motor shaft. (Figure 17)
2. Loosen the two 1/4-20 Phillips head screws on opposite sides on the cover. (Figure 18)
NOTE: Screws are captured in the cover and will not come out completely.
3. Remove the cover and you now have complete access to the spool. (Figures 19 & 20)

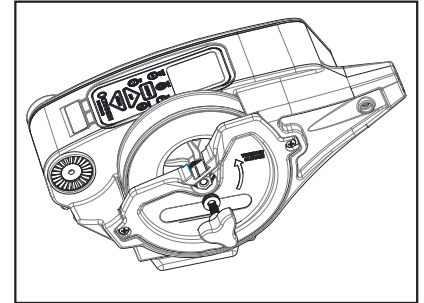


Figure 17

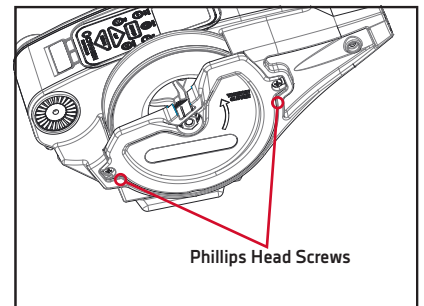


Figure 18

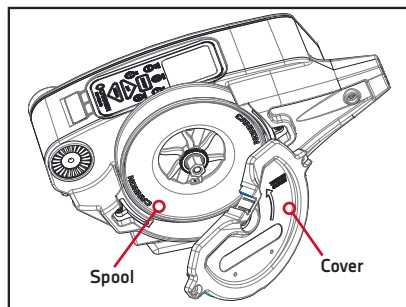


Figure 19

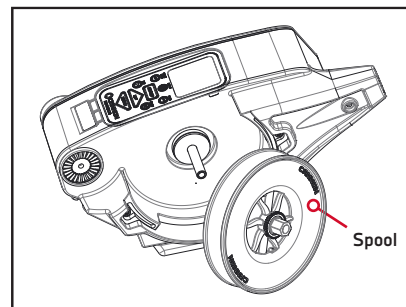


Figure 20

4. Reassemble by reversing the above steps.

NOTE: Take care when removing the spool over open water that the clutch pad or clutch disk doesn't get pulled off.



REPLACING THE CLUTCH PAD

To replace the clutch pad, follow the steps for removing the spool. Once the spool is removed, you have access to the clutch pad. (Figure 21) Simply pull it off the shaft and replace. Reassemble the spool and cover in the reverse order.

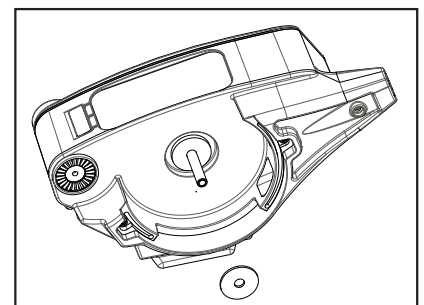


Figure 21

MANUAL CRANK HANDLE

USING THE INCLUDED POWER LOSS MANUAL CRANK HANDLE

In case of a dead battery, your downrigger comes equipped with a power loss manual crank handle. This handle allows for the retrieval of your weight should you lose power or have an electrical failure. To utilize the handle follow the below steps.

WARNING: LOOSENING OR REMOVING THE CLUTCH KNOB WILL RELEASE THE SPOOL AND ALLOW IT TO RUN FREE. MAKE SURE YOU HOLD THE SPOOL BEFORE REMOVING THE CLUTCH KNOB. It is recommended that you wear protective gloves when working with the spool.

1. Unplug downrigger and secure reel. See warning above.
2. Rotating clockwise, remove the clutch knob.(Figure 22)
CAUTION: Take care when removing the clutch knob over open water.
3. Install the handle's hex pattern to match the hex pattern on the spool. Once installed, turn the crank towards you to retrieve the weight. (Figure 23)

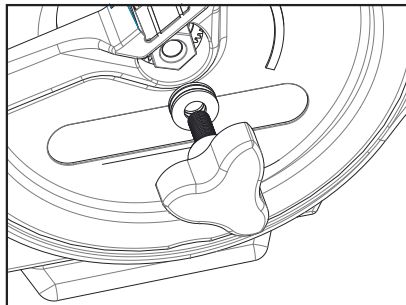


Figure 22

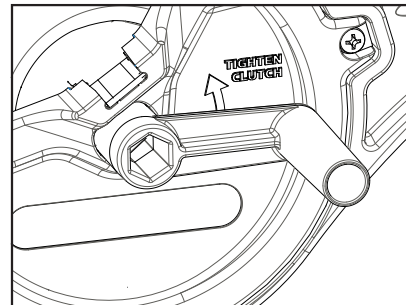


Figure 23

SERVICE & REPAIR



FREQUENTLY ASKED QUESTIONS

We have FAQs available on our website to help answer all of your Cannon questions. Visit www.cannondownriggers.com and click on “Frequently Asked Questions” under the “Service” tab to find an answer to your question.



CALL US (FOR U.S. AND CANADA)

Our customer service representatives are available Monday – Friday between 7:00am – 4:30pm CST at 800-227-6433. If you are calling to order parts, please have the 11-character serial number from your product, specific part numbers, and credit card information available. This will help expedite your call and allow us to provide you with the best customer service possible. You can reference the parts list located in your manual to identify the specific part numbers.



EMAIL US

You can email our customer service department with questions regarding your Cannon products. To email your question, visit www.cannondownriggers.com and click on “Contact Us” under the “Service” tab.



REPLACEMENT PARTS

In the U.S.A., replacement parts may be ordered directly from CANNON Parts Dept., 121 Power Drive, Mankato, Minnesota 56001. Be sure to provide the MODEL and SERIAL numbers of your downrigger when ordering parts. Please use the correct part numbers from the parts list. Payment for any parts ordered from the CANNON Parts Department may be by cash, personal check, Discover Card, MasterCard or VISA. To order, call 1-800-227-6433 or FAX 1-800-527-4464.



AUTHORIZED SERVICE CENTERS

Cannon works with authorized service centers in the United States and Canada to provide parts and service for your downrigger. Please visit our Authorized Service Center page to locate a service center in your area.

TROUBLESHOOTING

1. In the UP or AUTO-UP mode the downrigger stops periodically but the display stays on or the circuit breaker trips repeatedly.
 - Low battery. The battery voltage at the power cord is less than 11.5 volts (measure with a volt meter while the downrigger is pulling up the weight).
 - Power cable is too long or too small in diameter.
 - Do not overload the downrigger. It is designed to lift up to 20 lb. weights only.
2. Unit does not turn on.
 - Check polarity on power cable.
 - Check circuit breaker(s)
3. Unit does not count the amount of cable retrieved correctly.
 - Verify that the correct line type (Coated/Uncoated) and line on reel is set to the correct length.
4. Unit does not count the depth correctly.
 - Current was interrupted and circuit board was reset.
 - Check power cable connections and try to prevent power interruption.
 - Retrieve the trolling weight using UP or AUTO-UP.
 - Unplug the power cable for 30 seconds and then reconnect.
 - Reset the Zero Depth to your desired position.
 - Verify that all magnets are present in the spool.
5. Clutch slips.
 - Retighten clutch knob. Clutch knob should be just tight enough that the clutch does not slip when downrigger is in normal use. Do not use tools of any kind to tighten the clutch, hand tightening should always be sufficient. Check clutch disc condition by removing side cover and spool. Replace if necessary.
6. Unit does not stop at water line.
 - Using the up and down buttons, adjust the weight so it is at or a little below the water line. Use the Water Zero button to set that as the new water zero point. Note: due to cable stack this water zero point may shift up or down. It may have to be adjusted continuously depending on the amount of up and down cycles.

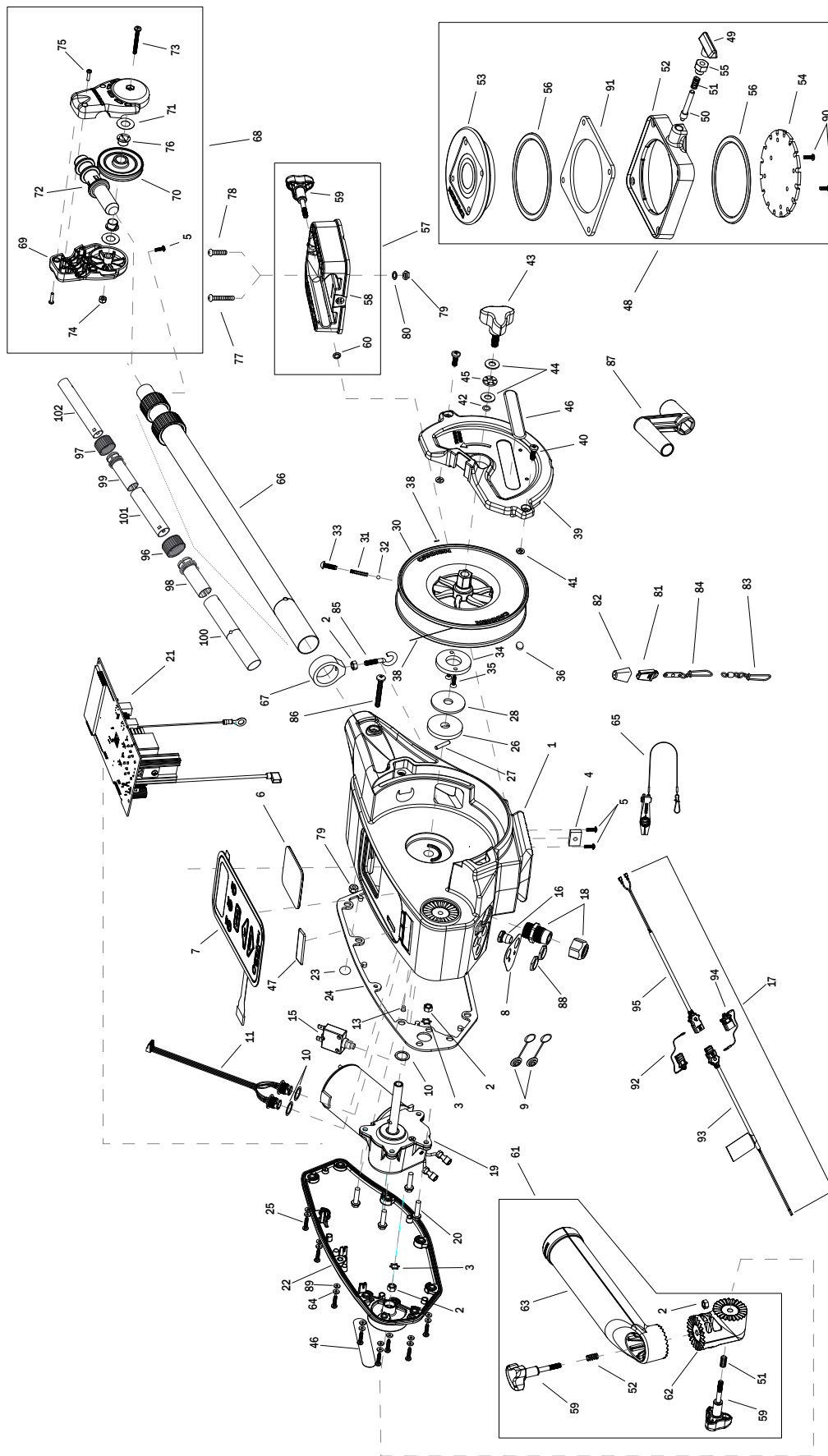
NOTE: For all other malfunctions, visit an Authorized Service Center. You can search for an Authorized Service Center in your area by visiting our Authorized Service Center page, found online at cannondownriggers.com, or by calling our customer service number, 800-227-6433.

PARTS DIAGRAM

DIGI-TROLL 5 ELECTRIC DOWNRIGGER

This page provides Cannon® WEEE compliance disassembly instructions. For more information about where you should dispose of your waste equipment for recycling and recovery and/or your European Union member state requirements, please contact your dealer or distributor from which your product was purchased.

Tools required, but not limited to: flat head screw driver, Phillips screw driver, socket set, pliers, wire cutters.



PARTS LIST

ITEM	QTY	PART NUMBER	DESCRIPTION
1	1	3392524	FRAME, RAW
*2	4	3393130	NUT-HEX 1/4-20 SS 300SRS
3	1	3394722	INSERT, PUSH ON
4	1	3394702	INSERT, BASE
5	2	2373450	SCREW-#8-18 X 3/8 THD (SS)
6	1	3396510	LENS-WINDOW
7	1	3394015	KEYPAD, DIGI-TROLL 5
8	1	3396602	SEAL PLATE, DT5
9	2	700176	CON XCAP MINI-CON PANEL MOUNT
10	2	3391730	WASHER, SEAL, DATA
11	1	3391220	HARNES, COMM
13	1	1234002	HDW INSERT SS PRESS 1/4IN(SUB)
15	1	3398205	CIRCUIT BREAKER, 25 AMP
16	1	1221491	BOOT CIRCUIT BREAKER
17	1	3993220	ASSY, POWER CABLE, RETRO(SUB)
18	1	3392920	STRAIN-RELIEF, HEYCO M4502
19	1	3996515	MOTOR/GEAR HOUSING ASSY
20	1	3393411	SCREW-FLANGE HEX HI-LO
21	1	3394007	ASY PCA,DIGI-TRLL 5,5TS
22	1	3390203	COVER, MOTOR
23	1	401966-3	MIC VENT,PTFE LU LRA MATERIAL
24	1	3396902	GASKET, COVER
25	11	3393480	SCREW-#10X.75"PPH HI-LO SS
26	1	3391907	PLATE, CLUTCH SHAFT
27	1	3392640	PIN, DRIVESHAFT
28	1	3391711	PAD, CLUTCH
30	1	377927	REEL, ROUGH, 3.75" OD
31	1	3392707	SPRING, REEL
32	1	3396020	BALL BEARING, REEL
33	1	3393474	SCREW-DRIVE #14 X .75" SS
34	1	3391906	PLATE, CLUTCH REEL
35	1	3393418	SCREW-#10-16X.75"HI-LO SS
36	4	1459666	CERAMIC MAGNET P/N 42-B-5020
37	1	3775397	400' CABLE
38	1	9100070	CON LEADER SLEEVE
39	1	3390205	COVER, REEL
40	2	2373434	SCREW-1/4-20 X 3/4 SS PPMS
41	2	2071718	WASHER #10 NYLON RETAINING
42	1	3394605	O-RING, KNOB
43	1	3390103	KNOB, SOFT GRIP, CLUTCH
44	1	3391737	HDW WASHER, THRUST
45	1	9010280	HDW BEARING, THRUST
46	2	3395634	DECAL- SIDE, BLACK
47	1	3395710	DECAL-PIC BLACK
48	1	3991913	CNN ASY, SWIVEL BASE
*49	1	2249001	HDW KNB RELEASE PIN
*50	1	3392600	PIN - RELEASE
*51	1	2287002	HDW SPRING RELEASE PIN
*52	1	3391923	BASE, SWIVEL MOLDED
*53	1	3394630	TOP, SWIVEL MOLDED

ITEM	QTY	PART NUMBER	DESCRIPTION
*54	1	3391919	PLATE, INDEX TS
*55	1	2277001	HDW RETAINER RELEASE NUT
*56	1	9010004	HDW BEARING SWIVEL BASE
57	1	3991930	ASY, MNT BASE DT/MAG(SUB)
*58	1	3391955	BASE-MOUNT, MAG ST
*59	3	3390101	KNOB-CANNON, SOFT GRIP
*60	1	3393000	RING, RETAINING, 1/4" SHAFT
61	1	3991904	ASSY-CNN, ROD HOLDER
*62	1	3394200	ARM, DUAL AXIS-ROD HOLDER
*63	1	3392033	TUBE, DUAL AXIS RD HLDR
64	11	3394602	WASHER, FLAT #8, SS
65	1	2277002	ASY HDW RELEASE UNIVERSAL
66	1	2210821	ASY BOOM TELESCOPIC
67	1	3397900	BALL HOOK EXTRUSION
68	1	3990200	ASSY-CNN, BOOM END (SUB)
*69	1	3392520	CASE, PULLEY
70	1	3392300	SHEEVE, PULLEY
*71	1	3391507	SHIM, BOOM END
*72	1	3392013	BOOM END, NEW
*73	1	3393485	SCREW-#10-24X1.75 PPHMS S
*74	1	3393124	NUT-#10-32 NYLOCK 18-8 SS
*75	1	2303412	SCREW-#6-20 X 5/8 SELF TAP
*76	1	3390005	BEARING-NYLINER, #8L5-1/2-F
*77	1	9280720	HDW SCR 1/4 20X2 TRUSS HD PHIL
*78	1	9280713	HDW SCR 1/4 20X1 1/2 TRUSS HEA
*79	1	2263103	NUT-1/4-20 NYLOCK SS
*80	1	2371712	WASHER-FLAT 9/32 X 5/8 X 1/16
*81	1	9100100	CON TERMINATOR
*82	1	9100101	CUSHION SLEEVE TERMINATOR
*83	1	9100620	HDW SNAP SWIVEL 4/0-37 MARLIN
*84	1	2200148	ASY SNAP & INSULATOR
*85	1	9040040	HDW BOLT 1/4-20 ROLLEDTHD HOOK
*86	1	3393461	SCREW-1/4-20 X 2" SS, PPH
*87	1	3390910	HANDLE-CRANK, MANUAL
*88	1	3393113	NUT, HEX, MINI-CON-X
*89	11	3391732	WASHER, SEALING
*90	2	2372100	SCREW, #8-18 X 5/8
*91	1	3391958	PLATE, SUPPORT TOP
*92	1	3393210	CAP ASSY, POWER CABLE, MOTOR
*93	1	3393200	CABLE-POWER, BATTERY
*94	1	3393201	CAP ASSY, POWER CABLE, BATTERY
*95	1	3393222	CABLE-POWER, MOTOR, RETRO
*96	1	2219822	HDW CLAMP BASE TUBE NEW
*97	1	2219823	HDW CLAMP BASE INTER TUBE NEW
*98	1	3393300	COLLET - BASE TUBE
*99	1	3393301	COLLET - MID TUBE
*100	1	2290828	24" BOOM - HEAVY DUTY
*101	1	2290829	ASY TUBE BOOM INTER BLK
*102	1	2290830	ASY TUBE BOOM END BLK
■	1	3994807	BAG ASSEMBLY (INCLUDES 71-89)

■ THIS ITEM IS PART OF AN ASSEMBLY.

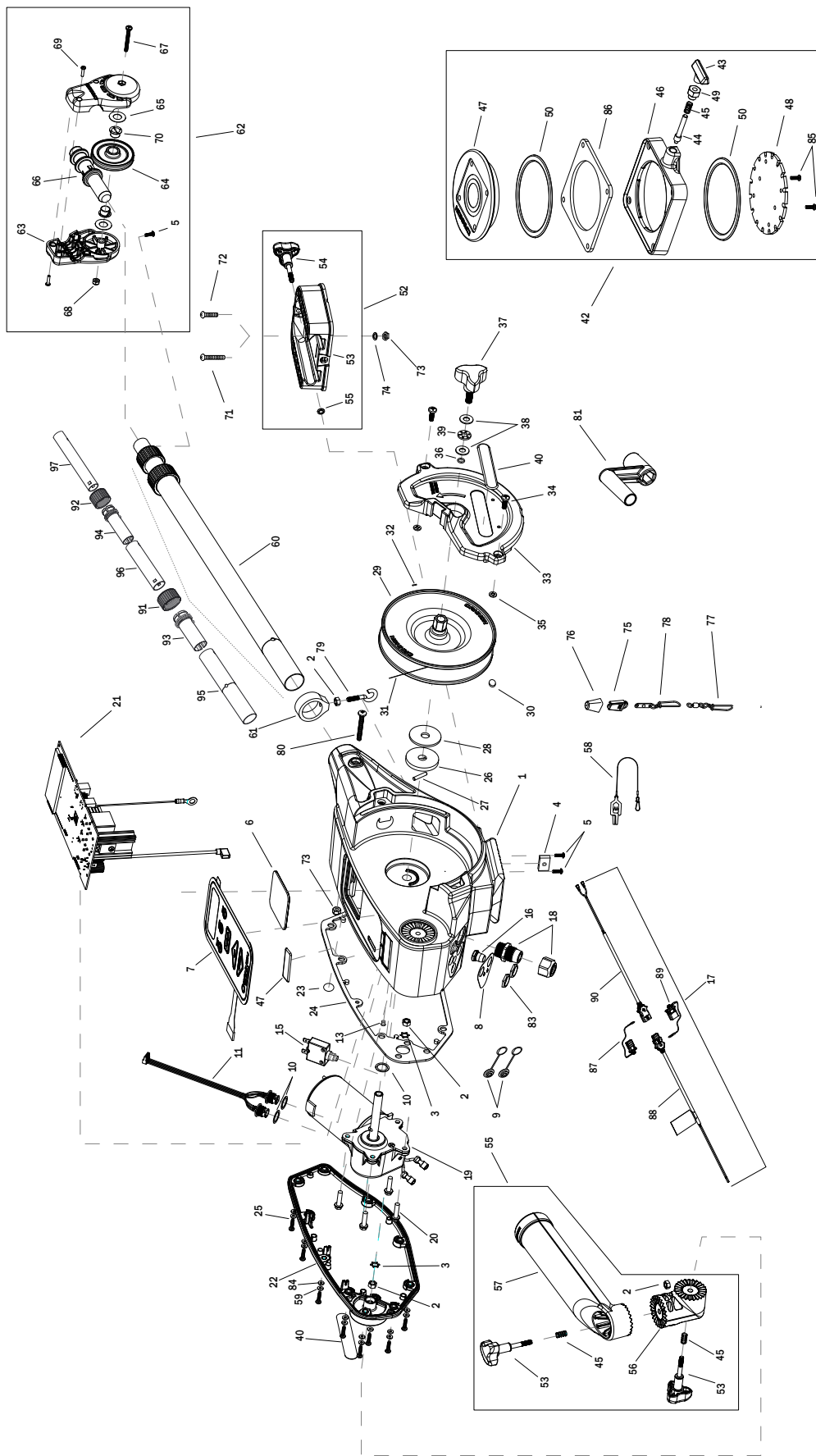
* THIS ITEM IS PART OF A KIT AND ONLY LISTED FOR VIEWING PURPOSES.

PARTS DIAGRAM

DIGI-TROLL 5 TS ELECTRIC DOWNRIGGER

This page provides Cannon® WEEE compliance disassembly instructions. For more information about where you should dispose of your waste equipment for recycling and recovery and/or your European Union member state requirements, please contact your dealer or distributor from which your product was purchased.

Tools required, but not limited to: flat head screw driver, Phillips screw driver, socket set, pliers, wire cutters.



PARTS LIST

ITEM	QTY	PART NUMBER	DESCRIPTION
1	1	3392525	FRAME, TS
*2	4	3393130	NUT-HEX 1/4-20 SS 300SRS
3	1	3394722	INSERT, PUSH ON
4	1	3394702	INSERT, BASE
5	2	2373450	SCREW-#8-18 X 3/8 THD (SS)
6	1	3396510	LENS-WINDOW
7	1	3394015	KEYPAD, DIGI-TROLL 5
8	1	3396602	SEAL PLATE, DT5
9	2	700176	CON XCAP MINI-CON PANEL MOUNT
10	2	3391730	WASHER, SEAL, DATA
11	1	3391220	HARNESS, COMM
13	1	1234002	HDW INSERT SS PRESS 1/4IN(SUB)
15	1	3398205	CIRCUIT BREAKER, 25 AMP
16	1	1221491	BOOT CIRCUIT BREAKER
17	1	3993220	ASSY, POWER CABLE, RETRO(SUB)
18	1	3392920	STRAIN-RELIEF, HEYCO M4502
19	1	3996515	MOTOR/GEAR HOUSING ASSY
20	4	3393411	SCREW-FLANGE HEX HI-LO
21	1	3394007	ASY PCA,DIGI-TRLL 5,5TS
22	1	3390204	COVER, MOTOR, TS
23	1	401966-3	MIC VENT,PTFE LU LRA MATERIAL
24	1	3396902	GASKET, COVER
25	11	3393480	SCREW-#10X.75"PPH HI-LO SS
26	1	3391907	PLATE, CLUTCH SHAFT
27	1	3392640	PIN, DRIVESHAFT
28	1	3391711	PAD, CLUTCH
29	1	3777908	REEL, ROUGH, 3.75" OD, SS
30	4	1459666	CERAMIC MAGNET P/N 42-B-5020
31	1	3775397	400' CABLE
32	1	9100070	CON LEADER SLEEVE
33	1	3390206	COVER, REEL, TS
34	2	2373434	SCREW-1/4-20 X 3/4 SS PPMS
35	2	2071718	WASHER #10 NYLON RETAINING
36	1	3394605	O-RING, KNOB
37	1	3390103	KNOB, SOFT GRIP, CLUTCH
38	1	3391737	HDW WASHER, THRUST
39	1	9010280	HDW BEARING, THRUST
40	2	3395634	DECAL- SIDE, BLACK
41	1	3395711	DECAL-PIC TS
42	1	2998905	CNN ASY, SWIVEL BASE
*43	1	2249001	HDW KNB RELEASE PIN
*44	1	3392600	PIN - RELEASE
*45	1	2287002	HDW SPRING RELEASE PIN
*46	1	3391923	BASE, SWIVEL MOLDED
*47	1	3394630	TOP, SWIVEL MOLDED
*48	1	3391919	PLATE, INDEX TS
*49	1	2277001	HDW RETAINER RELEASE NUT
*50	1	9010004	HDW BEARING SWIVEL BASE

ITEM	QTY	PART NUMBER	DESCRIPTION
51	1	3991930	ASY, MNT BASE DT/MAG(SUB)
52	1	3391955	BASE-MOUNT, MAG ST
*53	1	3390101	KNOB-CANNON, SOFT GRIP
*54	1	3393000	RING, RETAINING, 1/4" SHAFT
*55	1	3991904	ASSY-CNN, ROD HOLDER
*56	1	3394200	ARM, DUAL AXIS-ROD HOLDER
*57	1	3392033	TUBE, DUAL AXIS RD HLDR
58	1	2200109	SALTWATER RELEASE
59	11	3394602	WASHER, FLAT, #8, SS
60	1	3392010	ASY BOOM TELESCOPIC, SS
61	1	3397900	BALL HOOK EXTRUSION
62	1	3990200	ASSY-CNN, BOOM END (SUB)
*63	1	3392520	CASE, PULLEY
*64	1	3392300	SHEEVE, PULLEY
*65	1	3391507	SHIM, BOOM END
*66	1	3392013	BOOM END, NEW
*67	1	3393485	SCREW-#10-24X1.75 PPHMS S
*68	1	3393124	NUT-#10-32 NYLOK 18-8 SS
*69	1	2303412	SCREW-#6-20 X 5/8 SELF TAP
*70	1	3390005	BEARING-NYLINER, #8L5-1/2-F
*71	1	9280720	HDW SCR 1/4 20X2 TRUSS HD PHIL
*72	1	9280713	HDW SCR 1/4 20X1 1/2 TRUSS HEA
*73	1	2263103	NUT-1/4-20 NYLOCK SS
*74	1	2371712	WASHER-FLAT 9/32 X 5/8 X 1/16
*75	1	9100100	CON TERMINATOR
*76	1	9100101	CUSHION SLEEVE TERMINATOR
*77	1	9100620	HDW SNAP SWIVEL 4/0-37 MARLIN
*78	1	2200148	ASY SNAP & INSULATOR
*79	1	9040040	HDW BOLT 1/4-20 ROLLEDTHD HOOK
*80	1	3393461	SCREW-1/4-20 X 2" SS, PPH
*81	1	3390910	HANDLE-CRANK, MANUAL
*83	1	3393113	NUT, HEX, MINI-CON-X
*84	11	3391732	WASHER, SEALING
*85	2	2372100	SCREW, #8-18 X 5/8
*86	1	3391958	PLATE, SUPPORT TOP
*87	1	3393210	CAP ASSY, POWER CABLE, MOTOR
*88	1	3393200	CABLE-POWER, BATTERY
*89	1	3393201	CAP ASSY, POWER CABLE, BATTERY
*90	1	3393222	CABLE-POWER, MOTOR, RETRO
*91	1	2219822	HDW CLAMP BASE TUBE NEW
*92	1	2219823	HDW CLAMP BASE INTER TUBE NEW
*93	1	3393300	COLLET - BASE TUBE
*94	1	3393301	COLLET - MID TUBE
*95	1	3392001	TUBE, BOOM, BASE, SS
*96	1	3392002	TUBE, BOOM, MID, SS
*97	1	3392003	TUBE, BOOM, END, SS
■	1	3994807	BAG ASSEMBLY (INCLUDES 65-84)

■ THIS ITEM IS PART OF AN ASSEMBLY.

* THIS ITEM IS PART OF A KIT AND ONLY LISTED FOR VIEWING PURPOSES.

COMPLIANCE STATEMENTS

ENVIRONMENTAL COMPLIANCE STATEMENT:

It is the intention of JOME to be a responsible corporate citizen, operating in compliance with known and applicable environmental regulations, and a good neighbor in the communities where we make or sell our products.

WEEE DIRECTIVE:

EU Directive 2002/96/EC “Waste of Electrical and Electronic Equipment Directive (WEEE)” impacts most distributors, sellers, and manufacturers of consumer electronics in the European Union. The WEEE Directive requires the producer of consumer electronics to take responsibility for the management of waste from their products to achieve environmentally responsible disposal during the product life cycle.

WEEE compliance may not be required in your location for electrical & electronic equipment (EEE), nor may it be required for EEE designed and intended as fixed or temporary installation in transportation vehicles such as automobiles, aircraft, and boats. In some European Union member states, these vehicles are considered outside of the scope of the Directive, and EEE for those applications can be considered excluded from the WEEE Directive requirement.



This symbol (WEEE wheeled bin) on product indicates the product must not be disposed of with other household refuse. It must be disposed of and collected for recycling and recovery of waste EEE.

Johnson Outdoors Inc. will mark all EEE products in accordance with the WEEE Directive. It is our goal to comply in the collection, treatment, recovery, and environmentally sound disposal of those products; however, these requirements do vary within European Union member states. For more information about where you should dispose of your waste equipment for recycling and recovery and/or your European Union member state requirements, please contact your dealer or distributor from which your product was purchased.

DISPOSAL:

Johnson Outdoors Inc. products are not subject to the disposal regulations EAG-VO (electric devices directive) that implements the WEEE directive. Nevertheless never dispose of your product in a garbage bin but at the proper place of collection of your local town council.

Never dispose of battery in a garbage bin. Comply with the disposal directions of the manufacturer or his representative and dispose of them at the proper place of collection of your local town council.

WARNING: This product contains chemicals known to the State of California to cause cancer and birth defects or other reproductive harm.

NOTES



A series of horizontal lines for writing notes, starting below the dotted line and extending to the bottom of the page.

RECOMMENDED ACCESSORIES

ROD HOLDERS & TRACK SYSTEMS

Incredible versatile rod holders, rock-solid bases and plates. It's everything you need to rig your boat up to fit the way you fish - and you can mount it all up on our track system, which features interchangeable components made of high-strength aluminum.



DUAL AXIS ADJUSTABLE
ROD HOLDER



ALUMINUM MOUNT TRACK



SWIVEL BASE PEDESTAL

MOUNTS

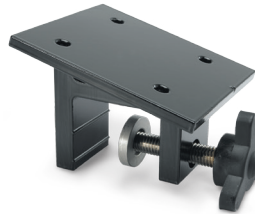
Rig it up and reel 'em in with a variety of mounting options suited to fit the way you fish.



SWIVEL BASE



DECK PLATE



CLAMP MOUNT



GIMBAL MOUNT

LINE RELEASES & WEIGHTS

We offer a wide variety of downrigger accessories designed to give you the best fishing experience:



- Uni-Line Release
- Uni-Stacker Release
- 4 to 12 lb. weights

For a complete listing of Cannon accessories, visit cannondownriggers.com

Follow us:



CANNON
cannondownriggers.com

Cannon Consumer & Technical Service
Johnson Outdoors Marine Electronics, Inc.
PO Box 8129
Mankato, MN 56002-8129

121 Power Drive
Mankato, MN 56001
Phone (800) 227-6433
Fax (800) 527-4464

JOHNSON
OUTDOORS

©2015 Johnson Outdoors Marine Electronics, Inc.
All rights reserved.